

# Broil King®

---

---



## Broil King®

ROYAL 320 SHADOW

8242-52SDW

8242-53SDW

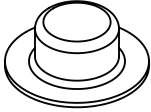
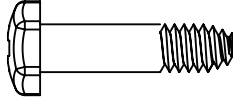
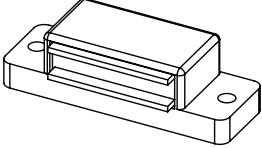
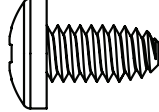
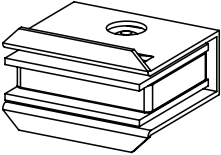
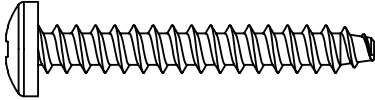

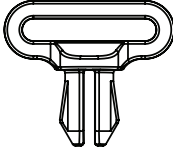
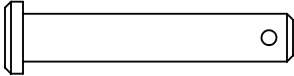
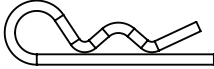
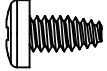
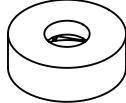

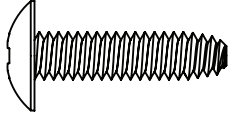
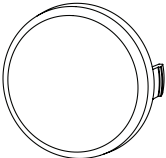
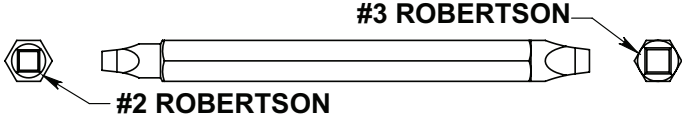
---

---

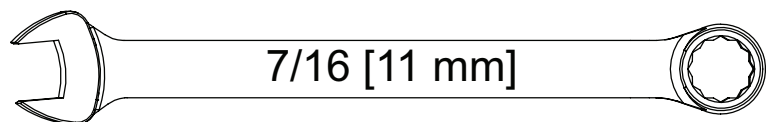
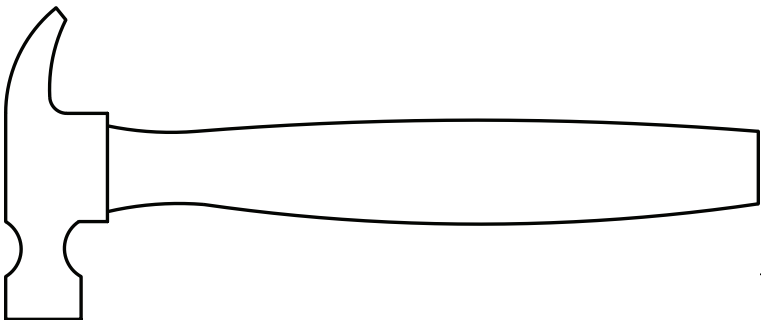
*Onward*  
SINCE 1906  
MANUFACTURING COMPANY LIMITED  
585 KUMPF DRIVE  
WATERLOO, ONTARIO, CANADA  
N2V 1K3

10084-E22EU REV B 10/25

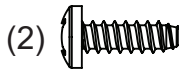
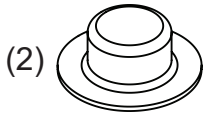
## HARDWARE INCLUDED

S21420		(2)	Y-11551		(1)
Y-12222		(1)	Y-12865		(6)
Y-12223		(1)	Y-11563		(4)
AAA		(1)	Y-12673		(2)
10240-15		(2)	S21233		(2)
Y-29304		(2)	Y-12124		(1)
S21124		(2)	Y-12860		(2)
32002-249		(2)	 <p style="text-align: center;">#3 ROBERTSON #2 ROBERTSON</p>		

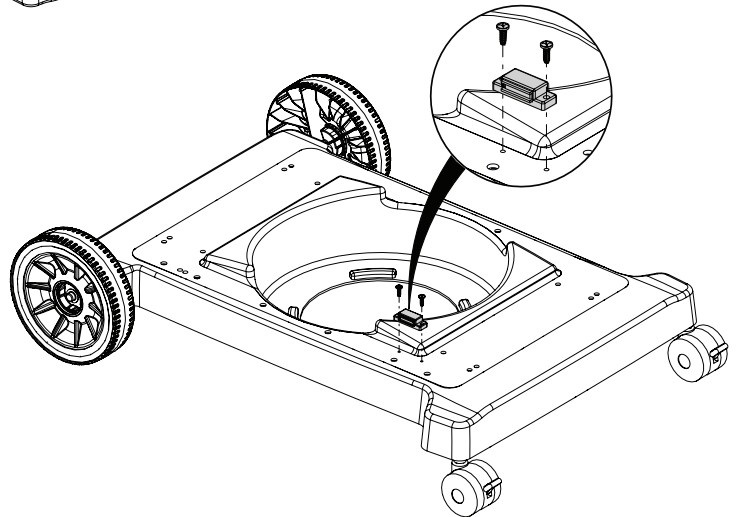
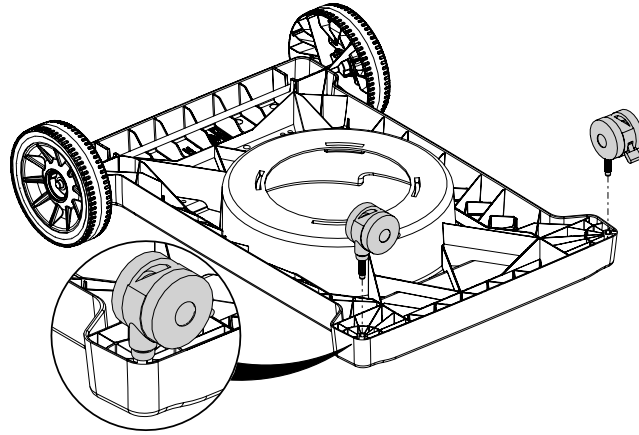
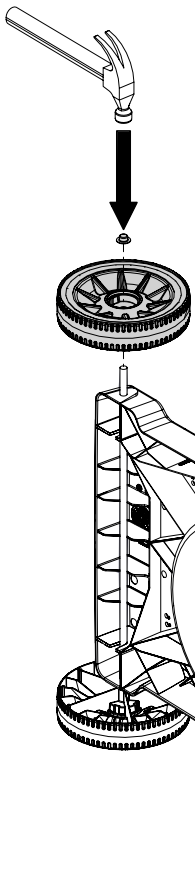
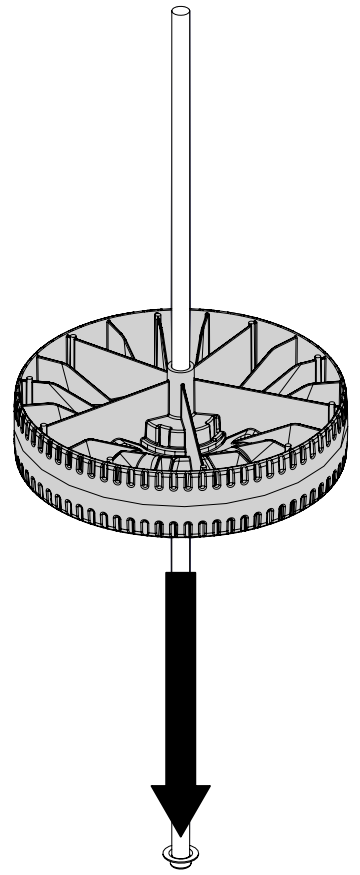
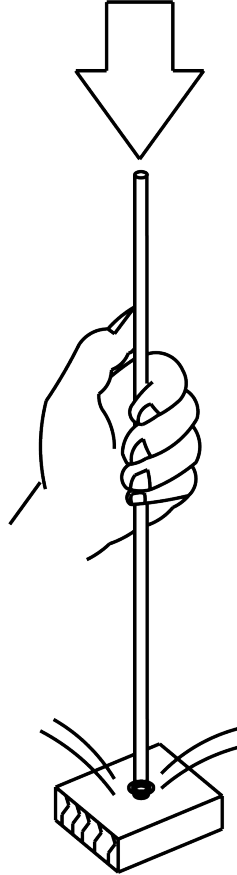
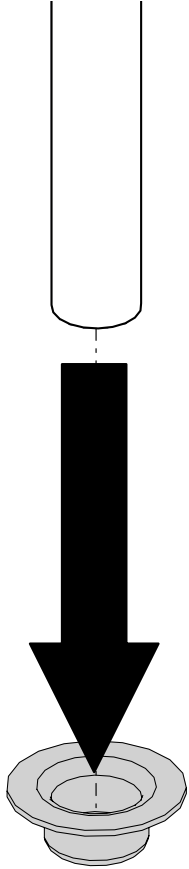
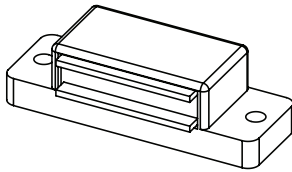
## TOOLS REQUIRED



# 1

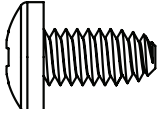


(1)

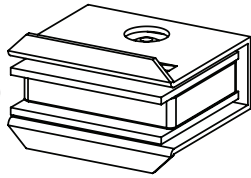


2

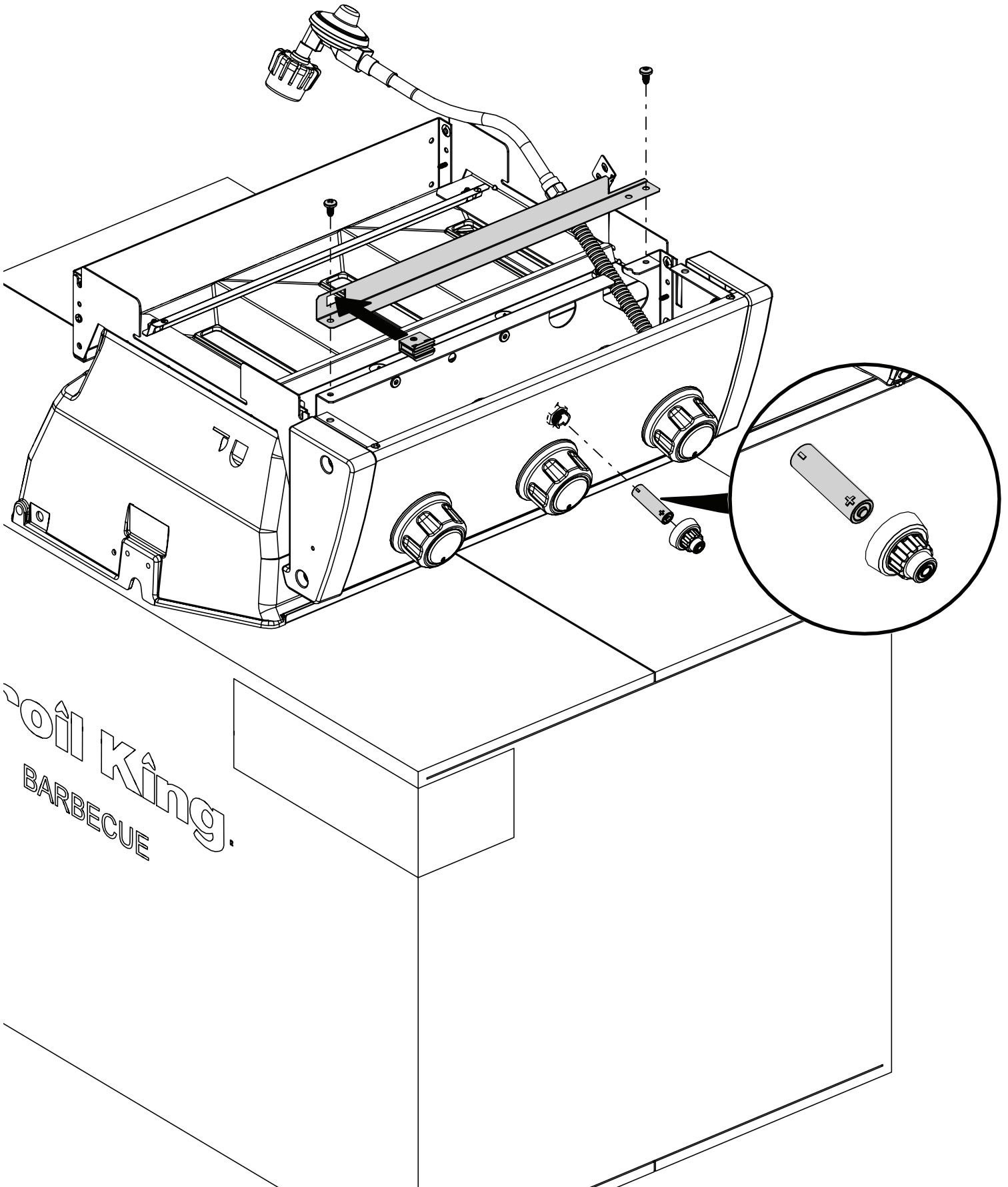
(2)



(1)

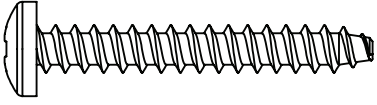


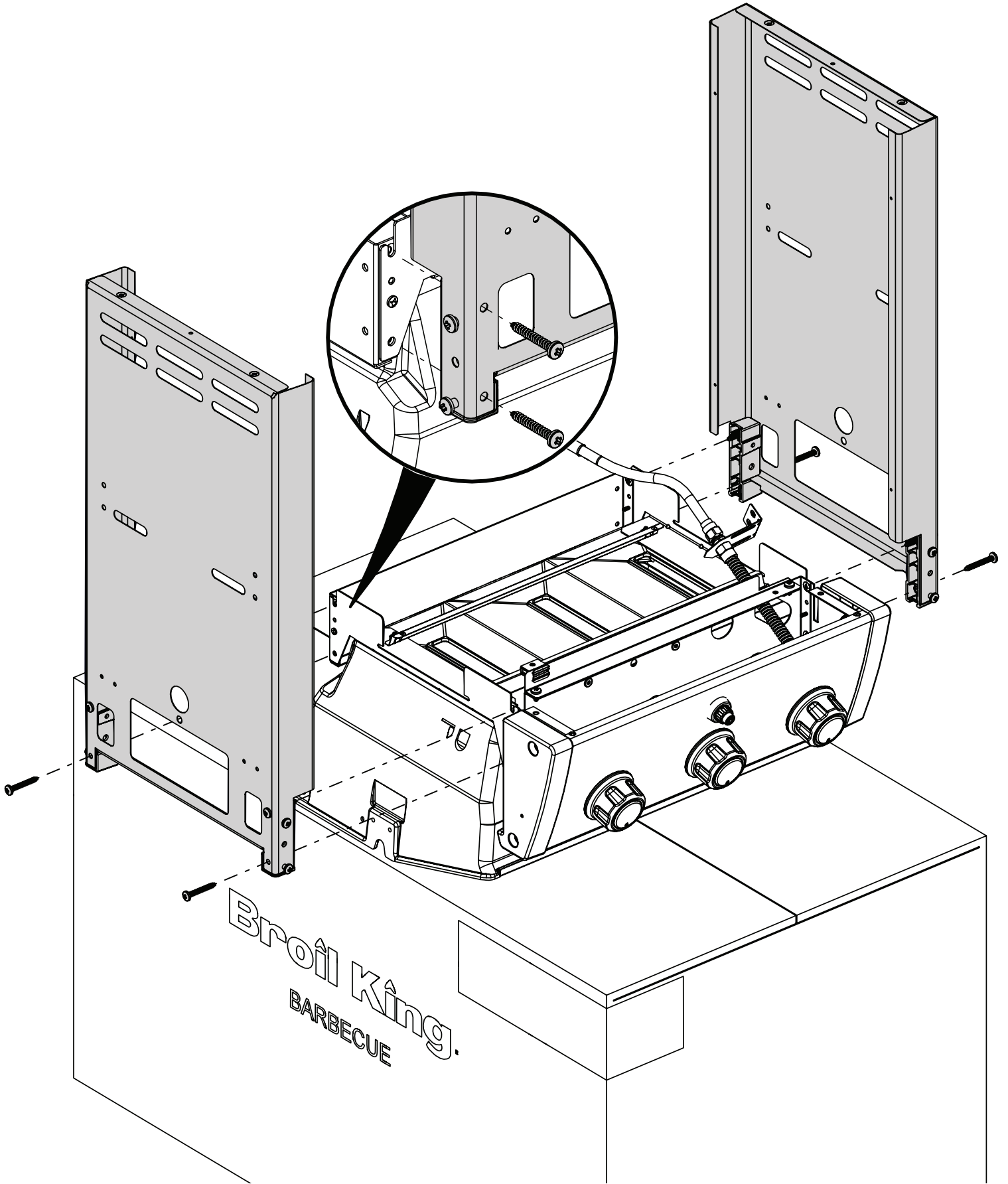
(1)



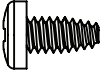
Smokey King  
BARBECUE

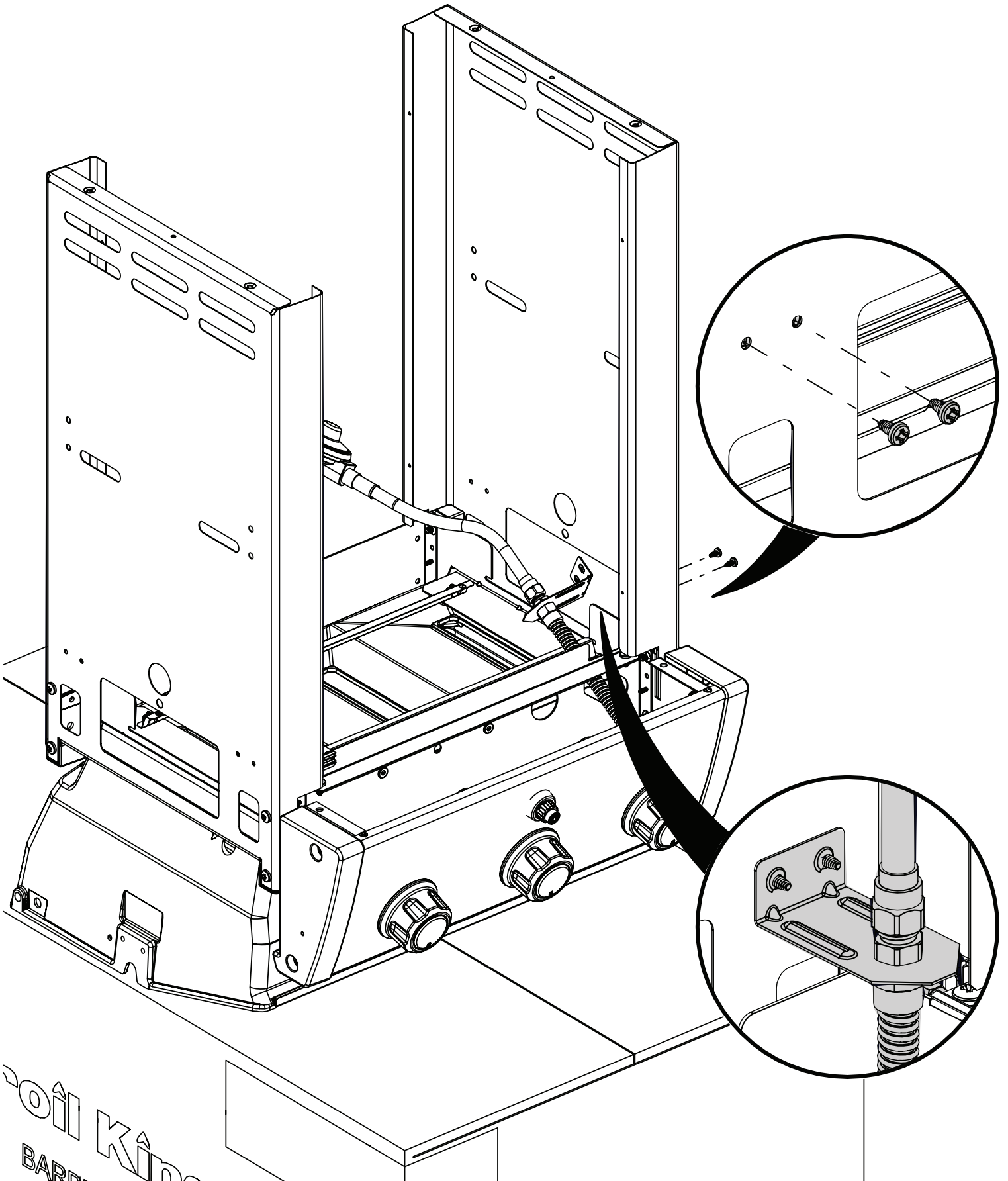
3

(4) 



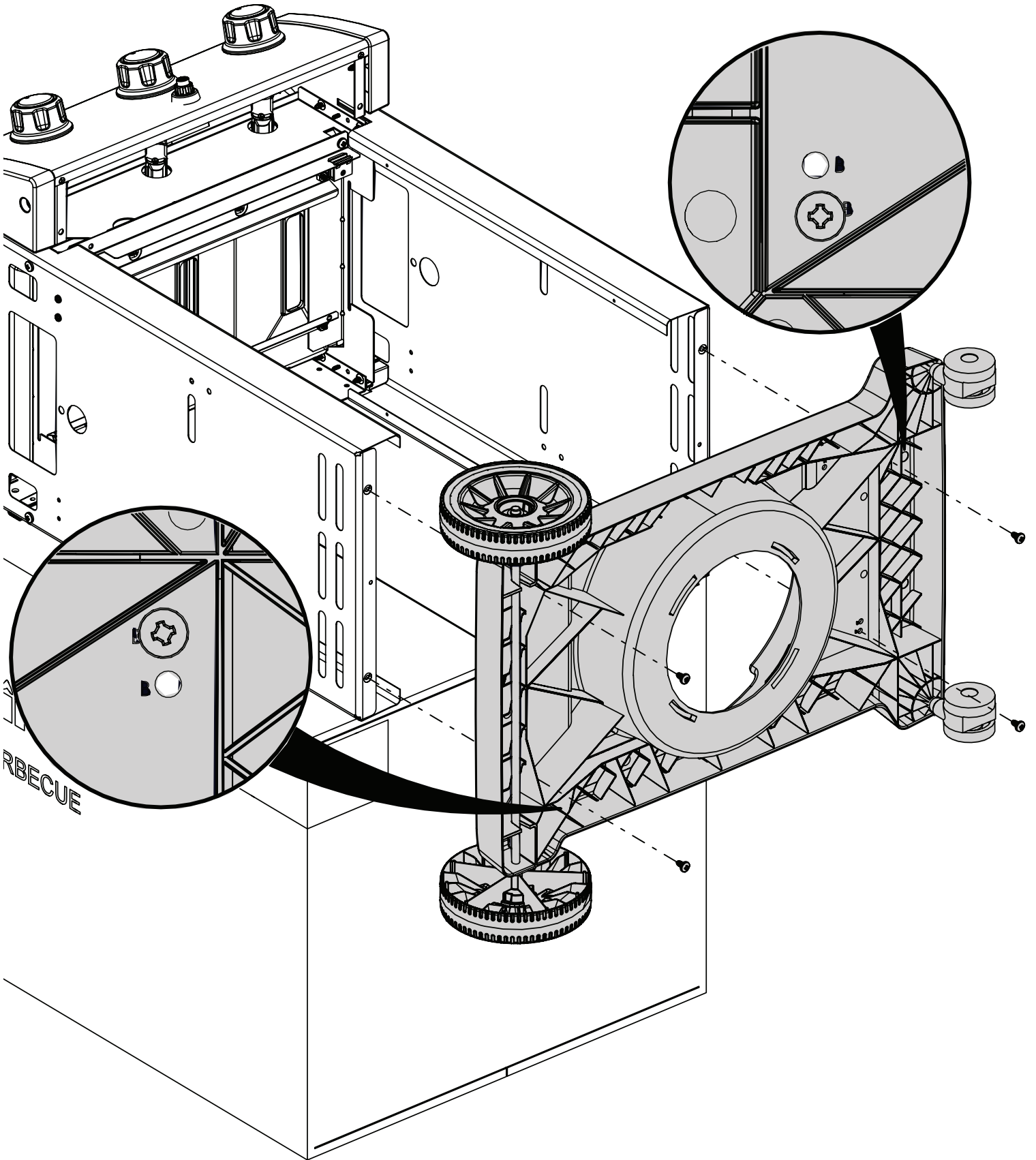
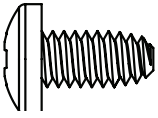
4

(2) 



5

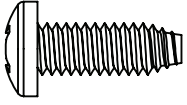
(4)



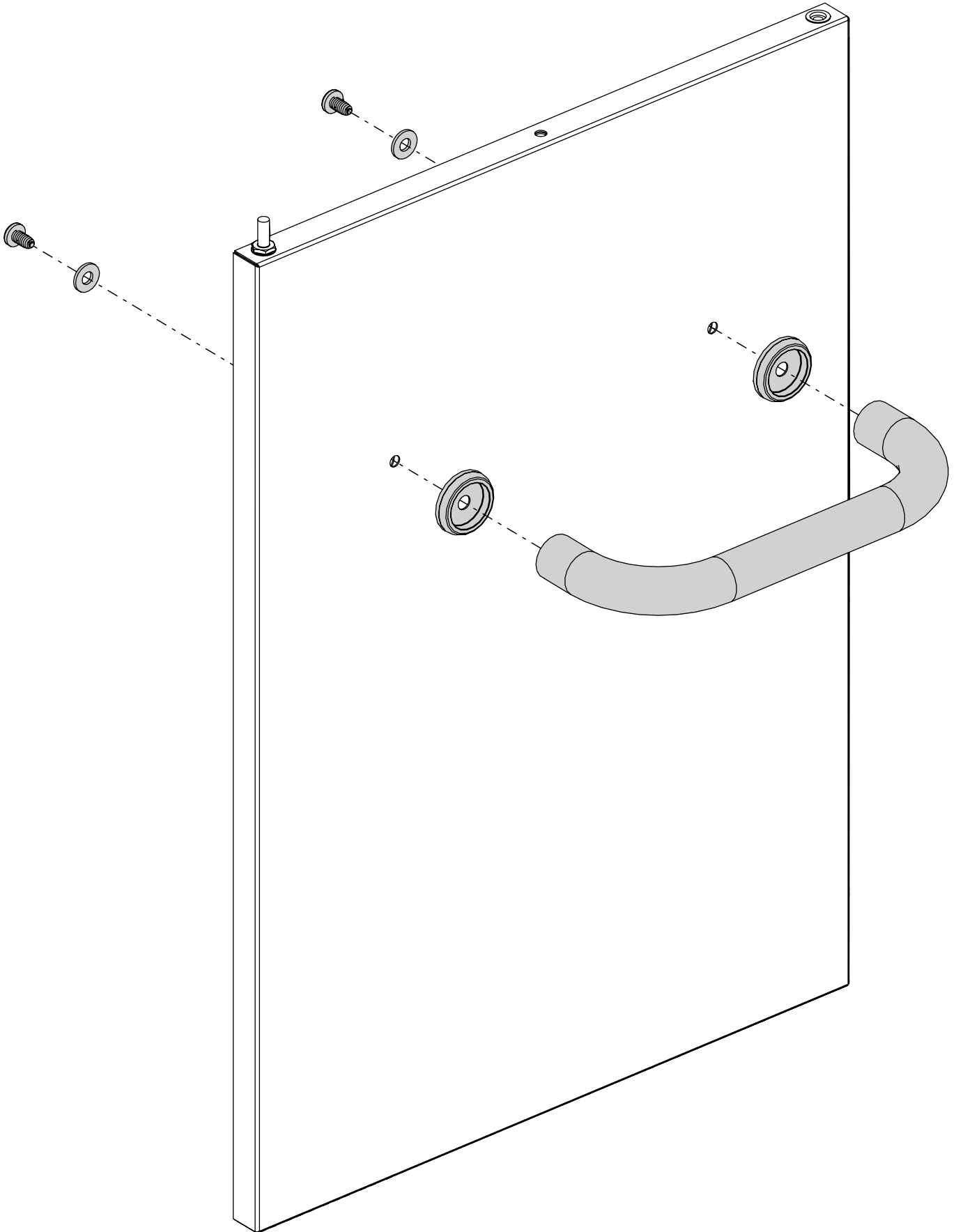
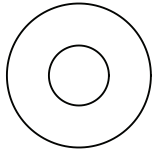
RBECEUE

6

(2)

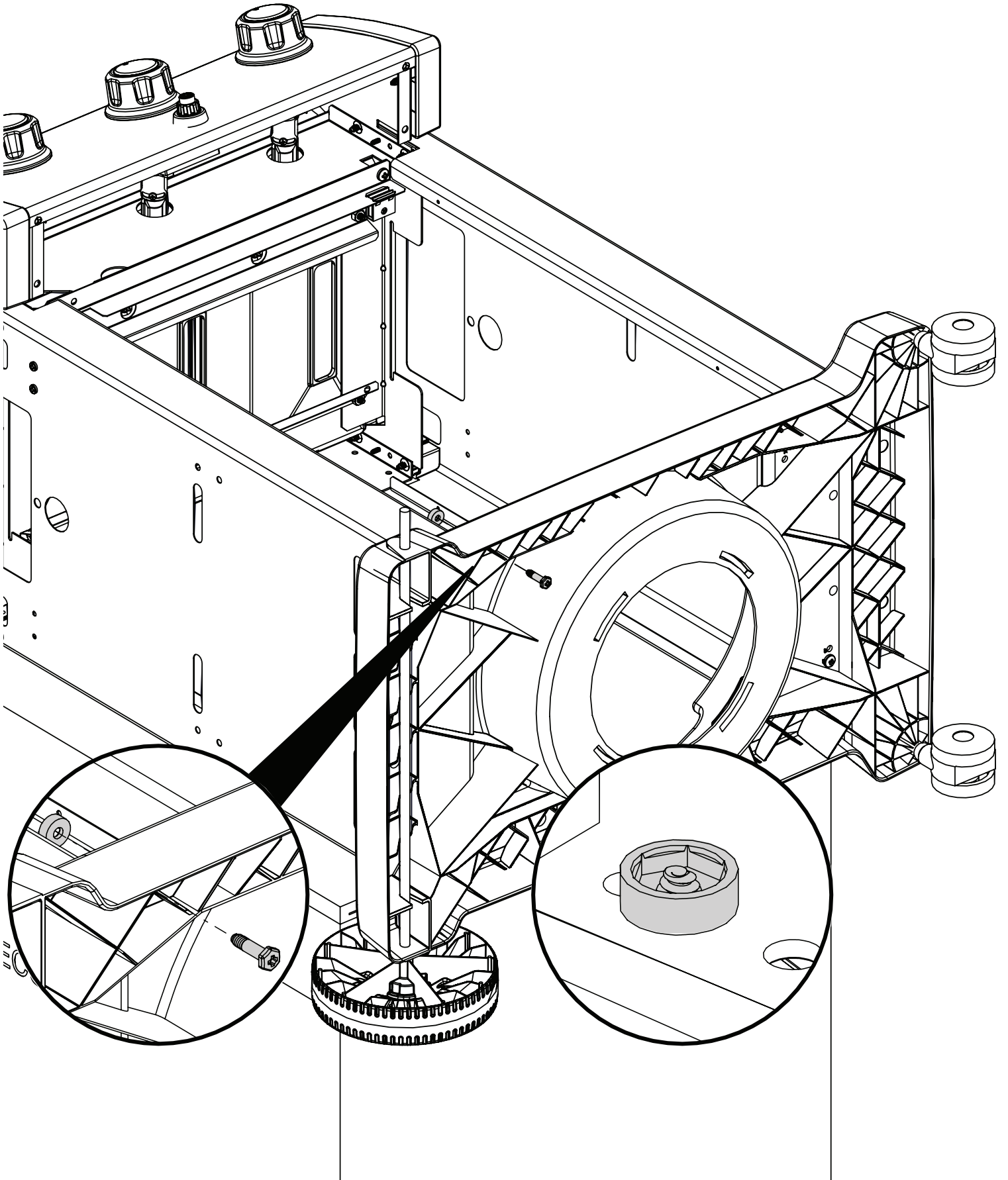
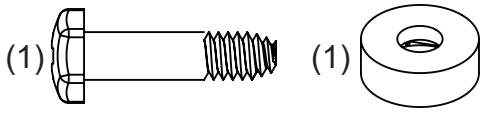


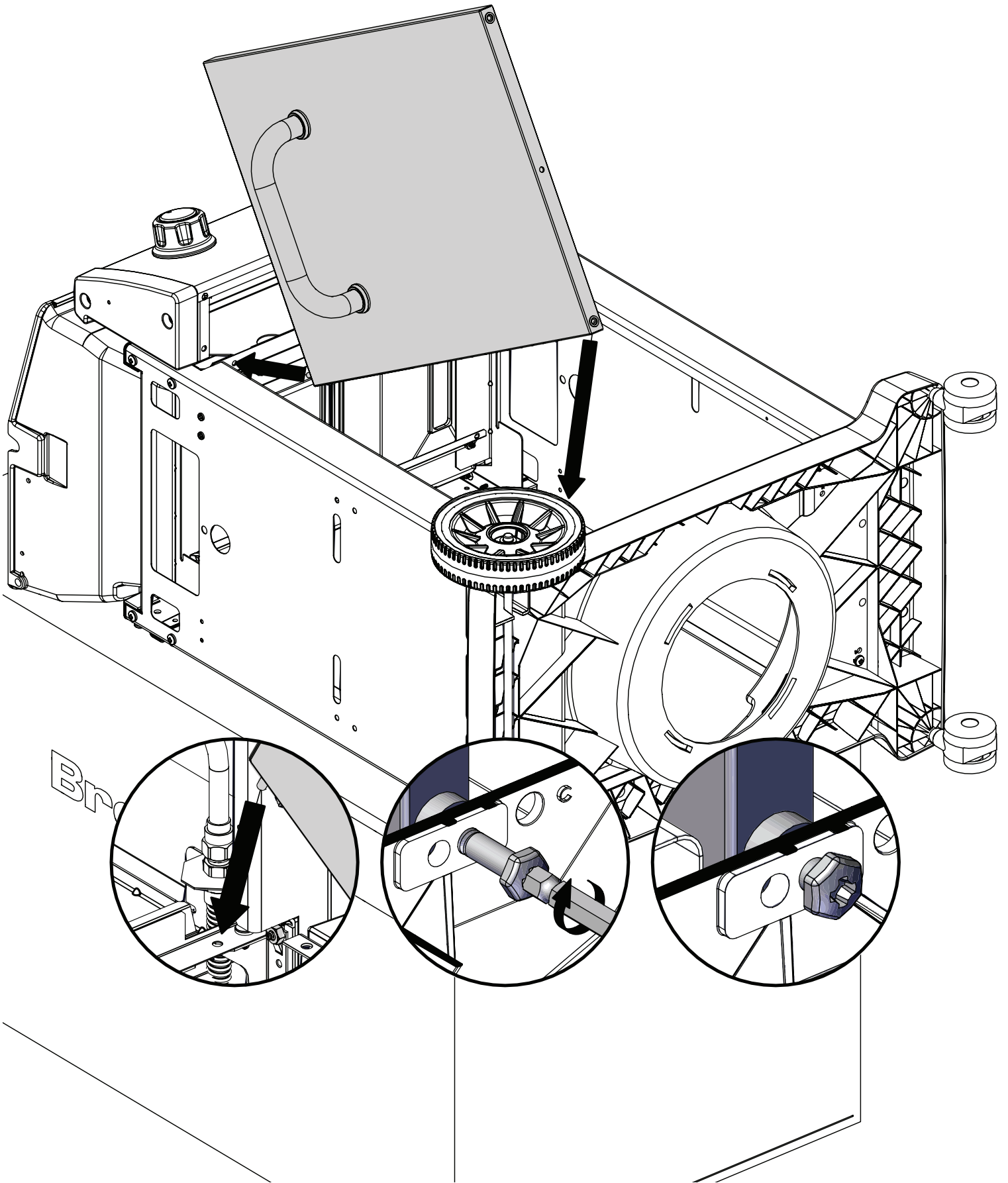
(2)





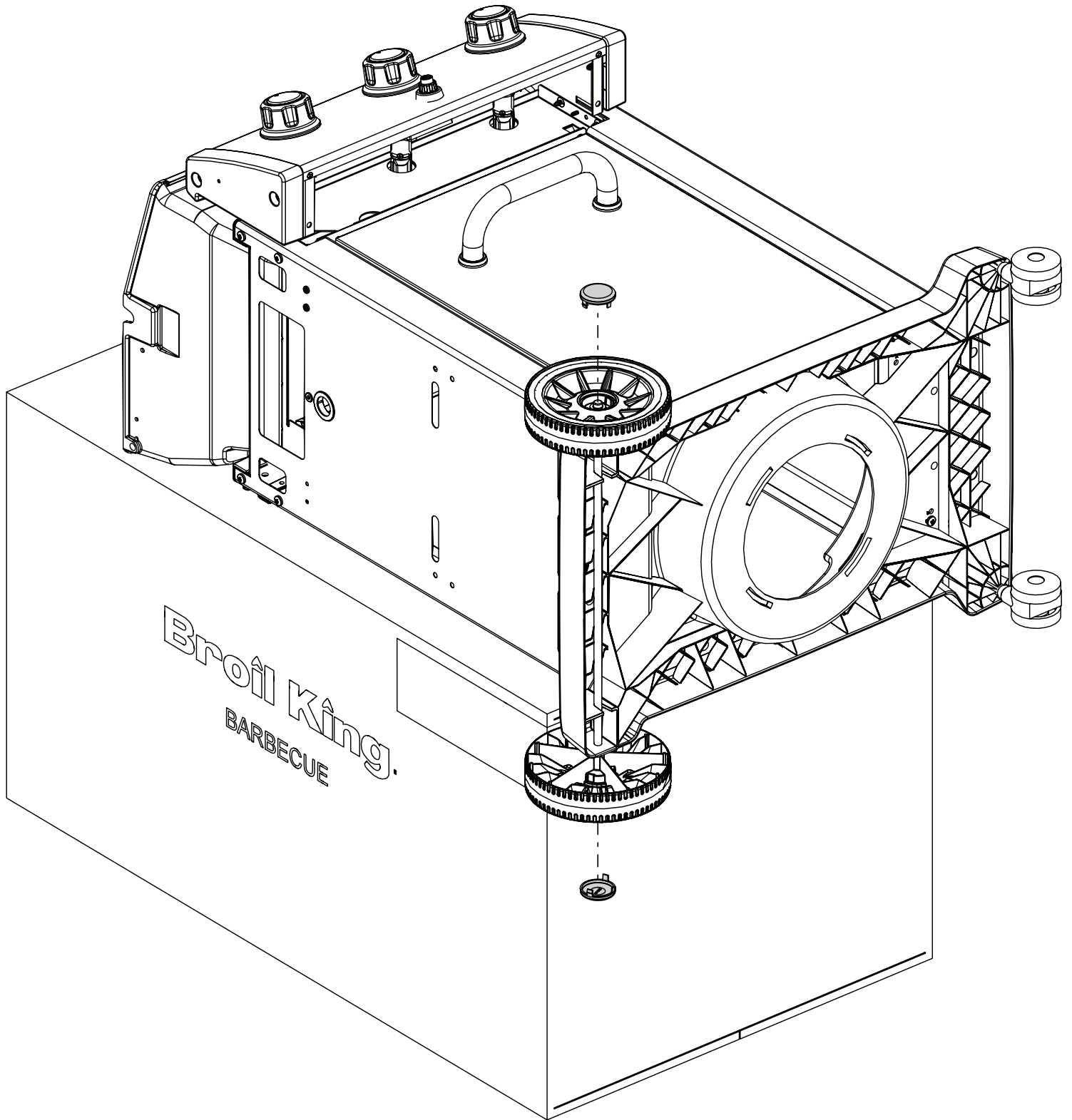
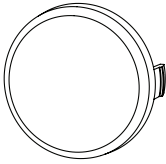
7

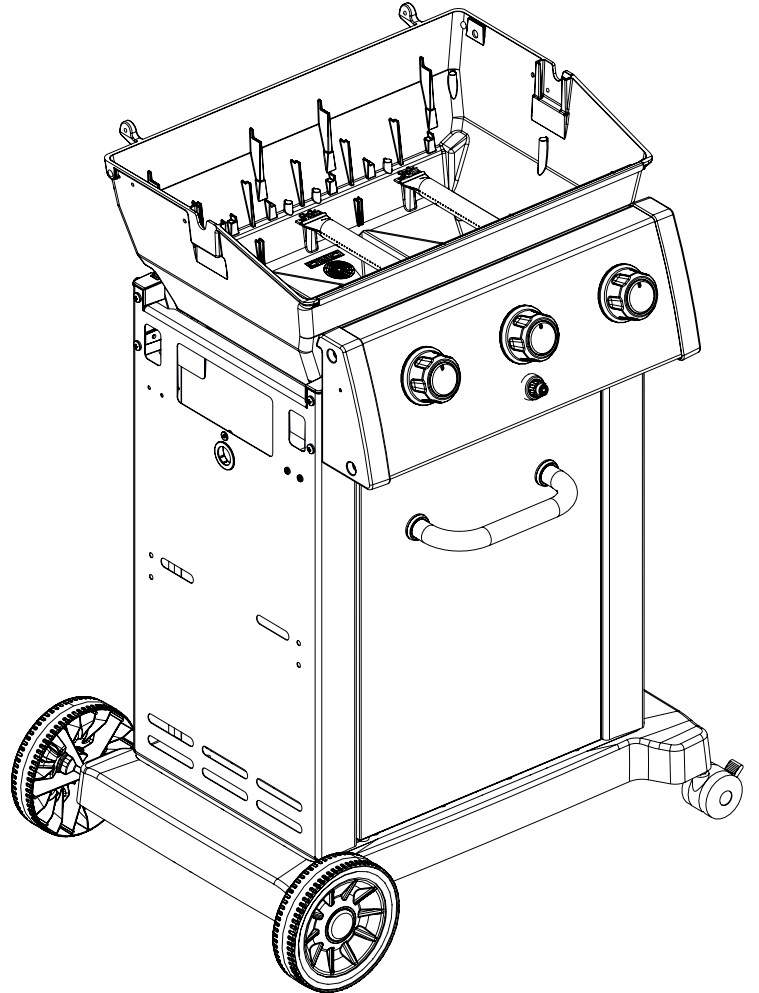
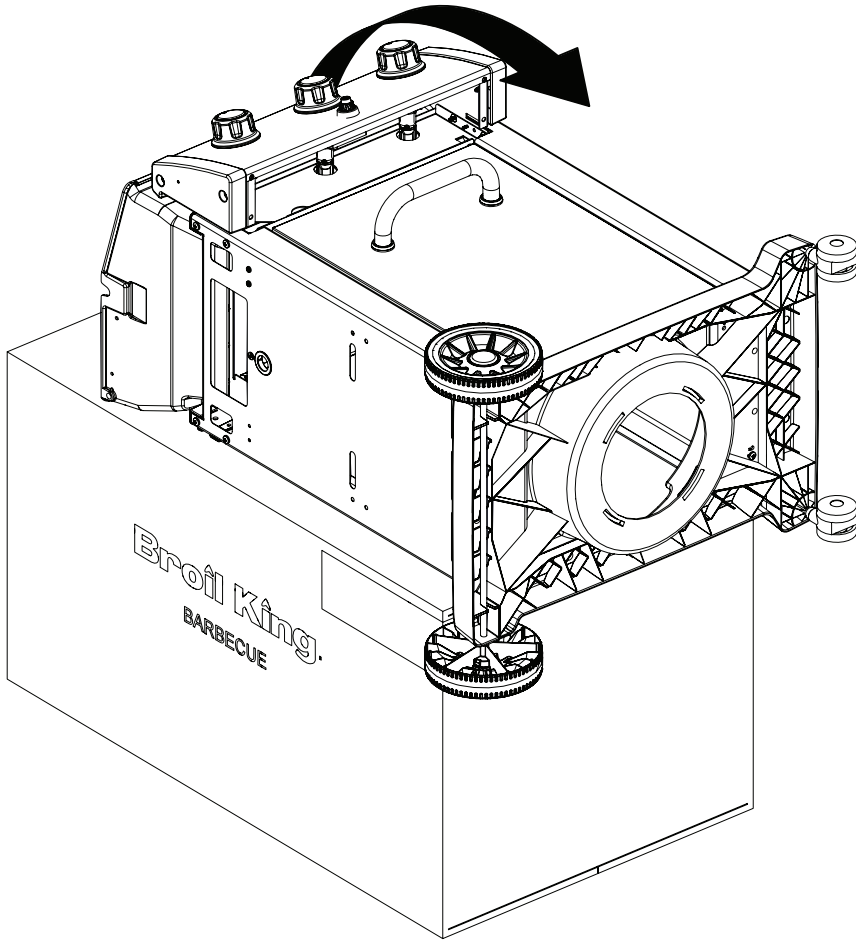




9

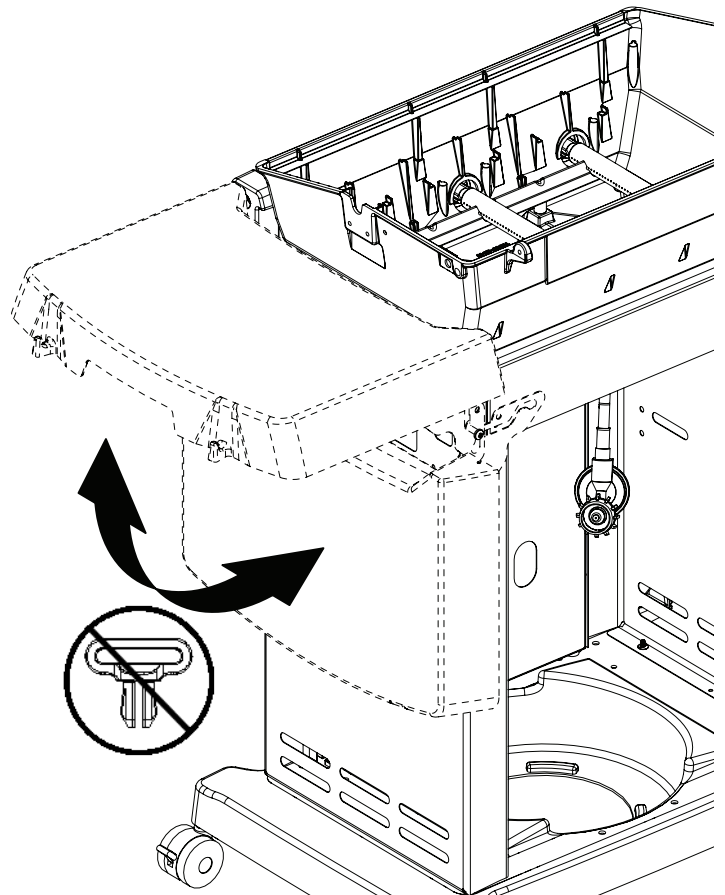
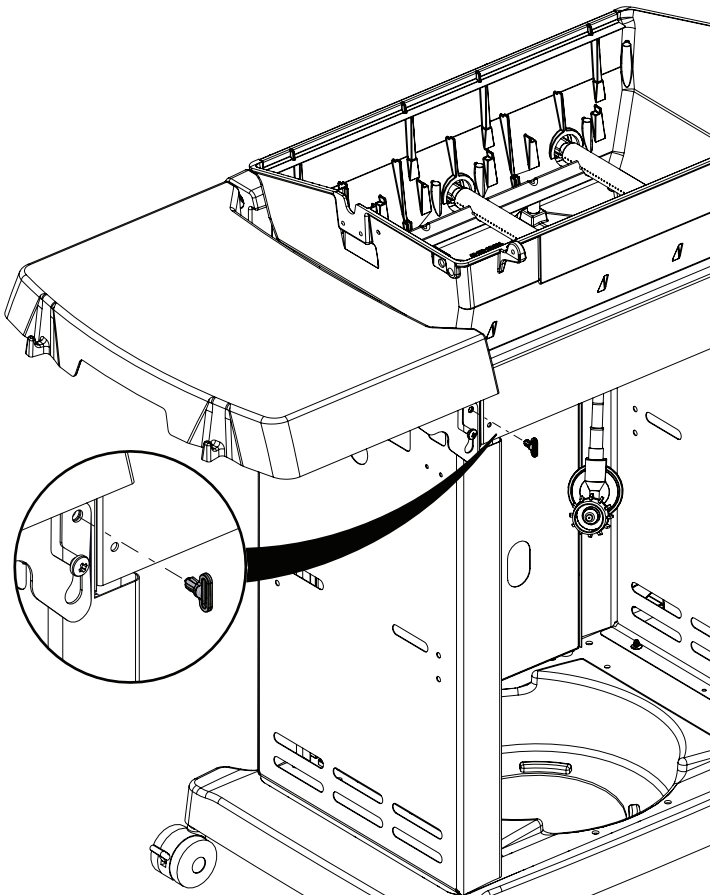
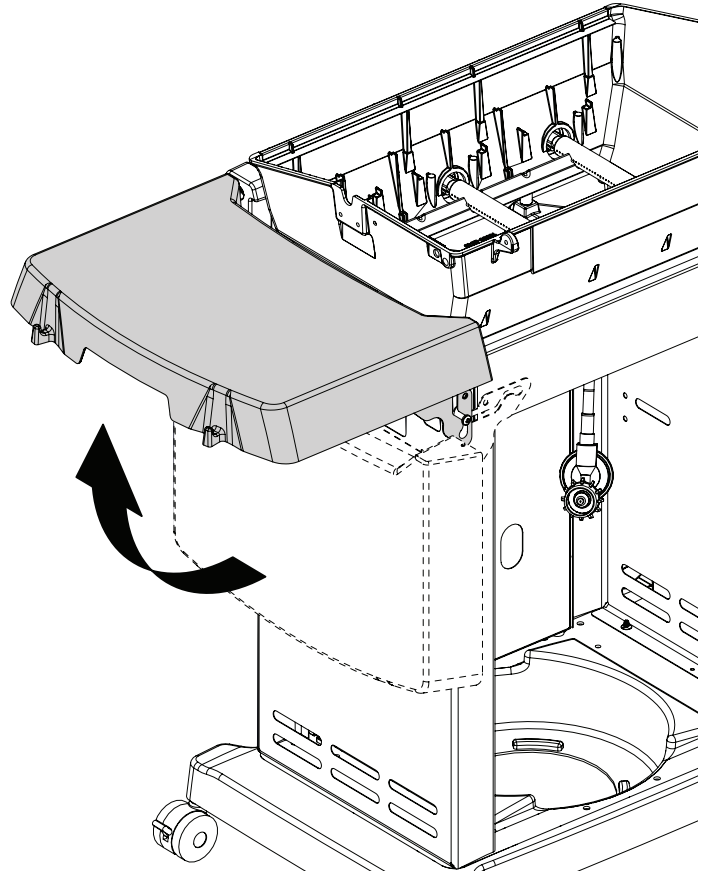
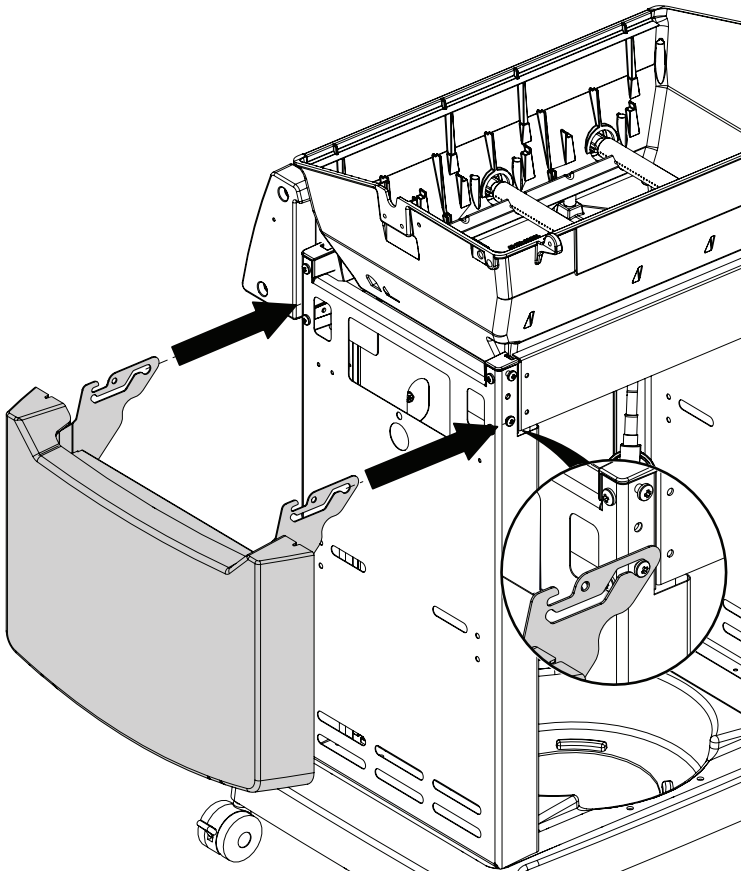
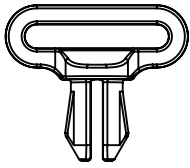
(2)



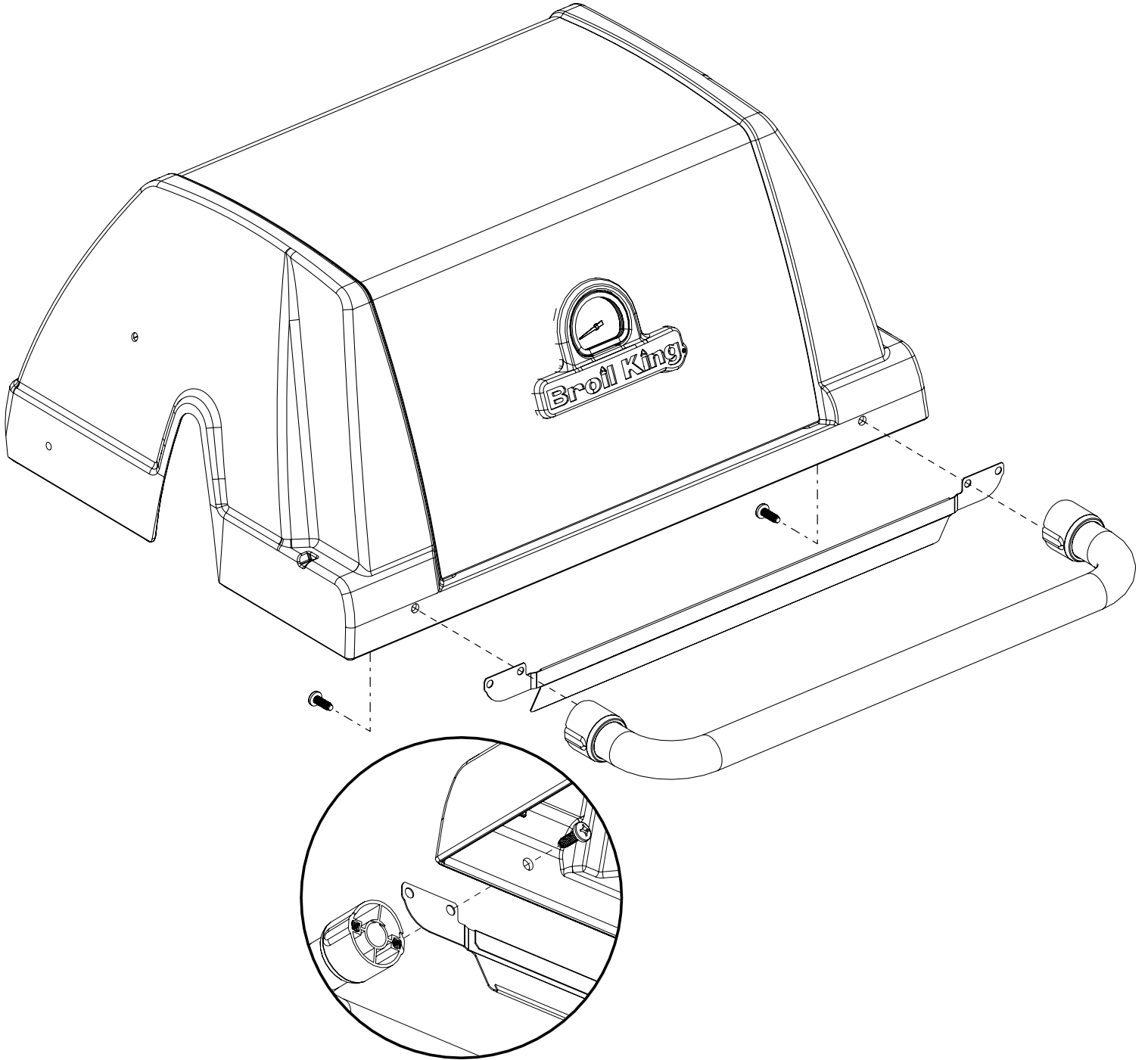
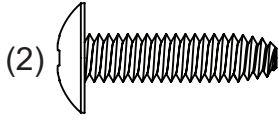


# 11

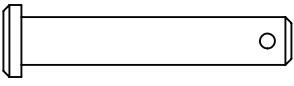
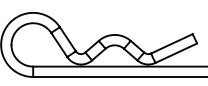
(2)

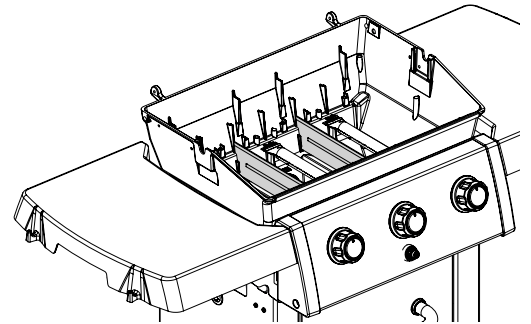
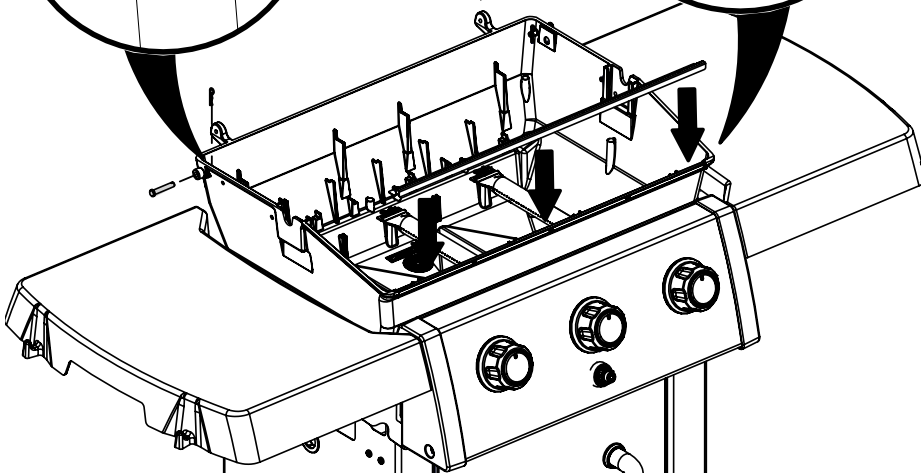
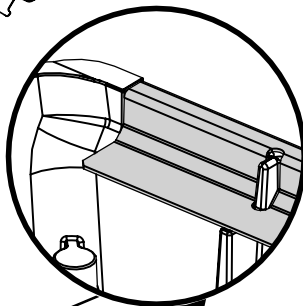
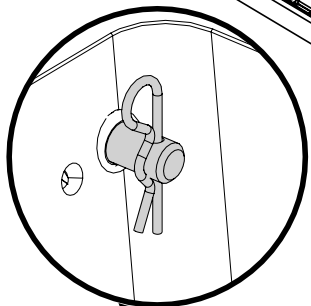
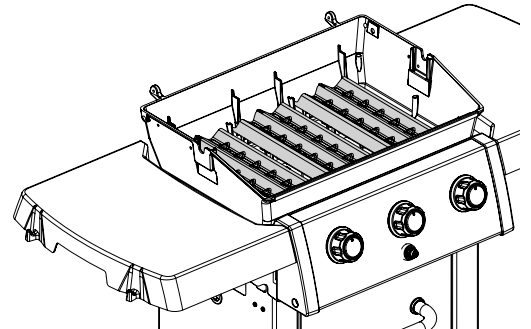
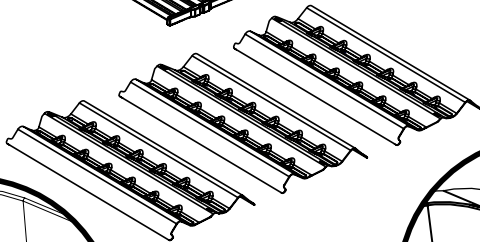
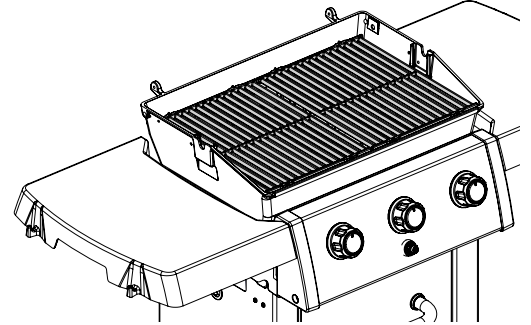
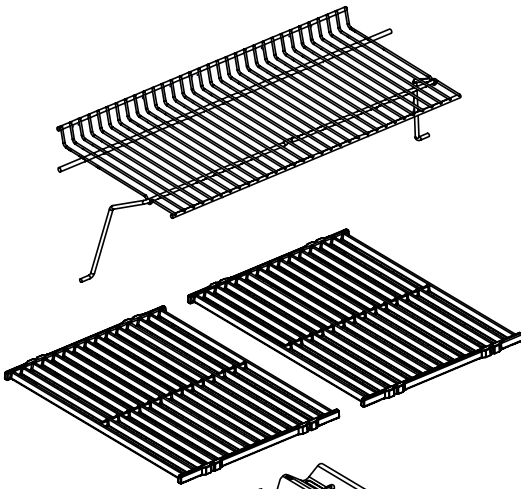
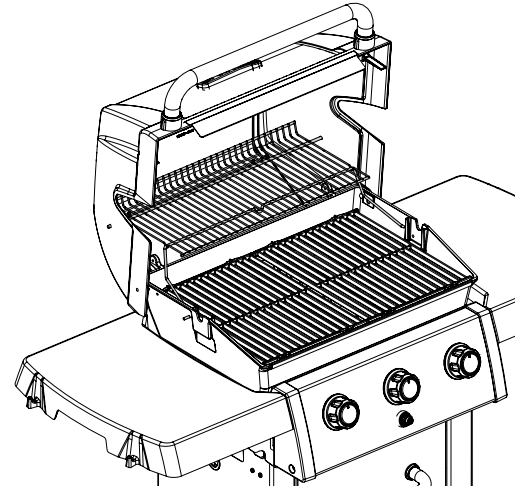
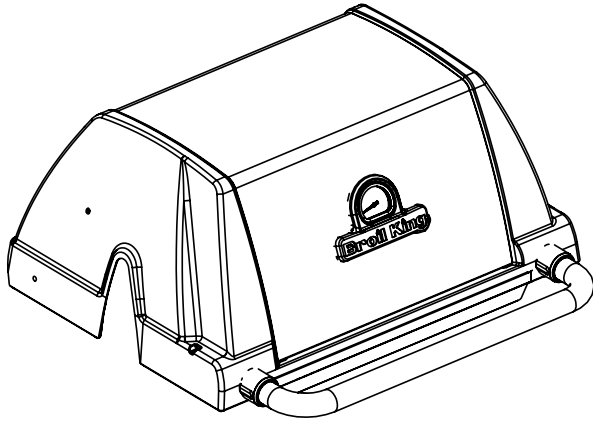


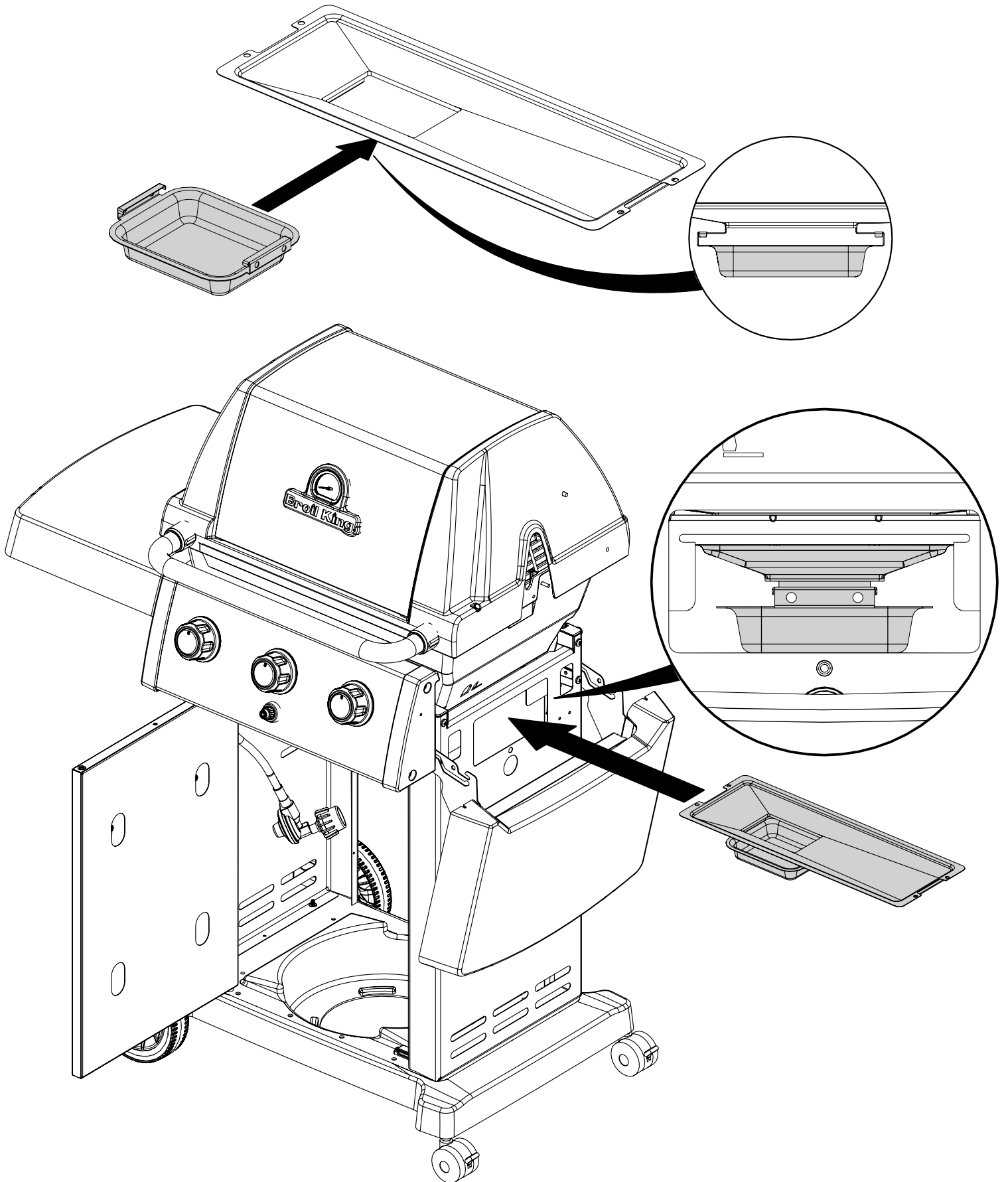
# 12



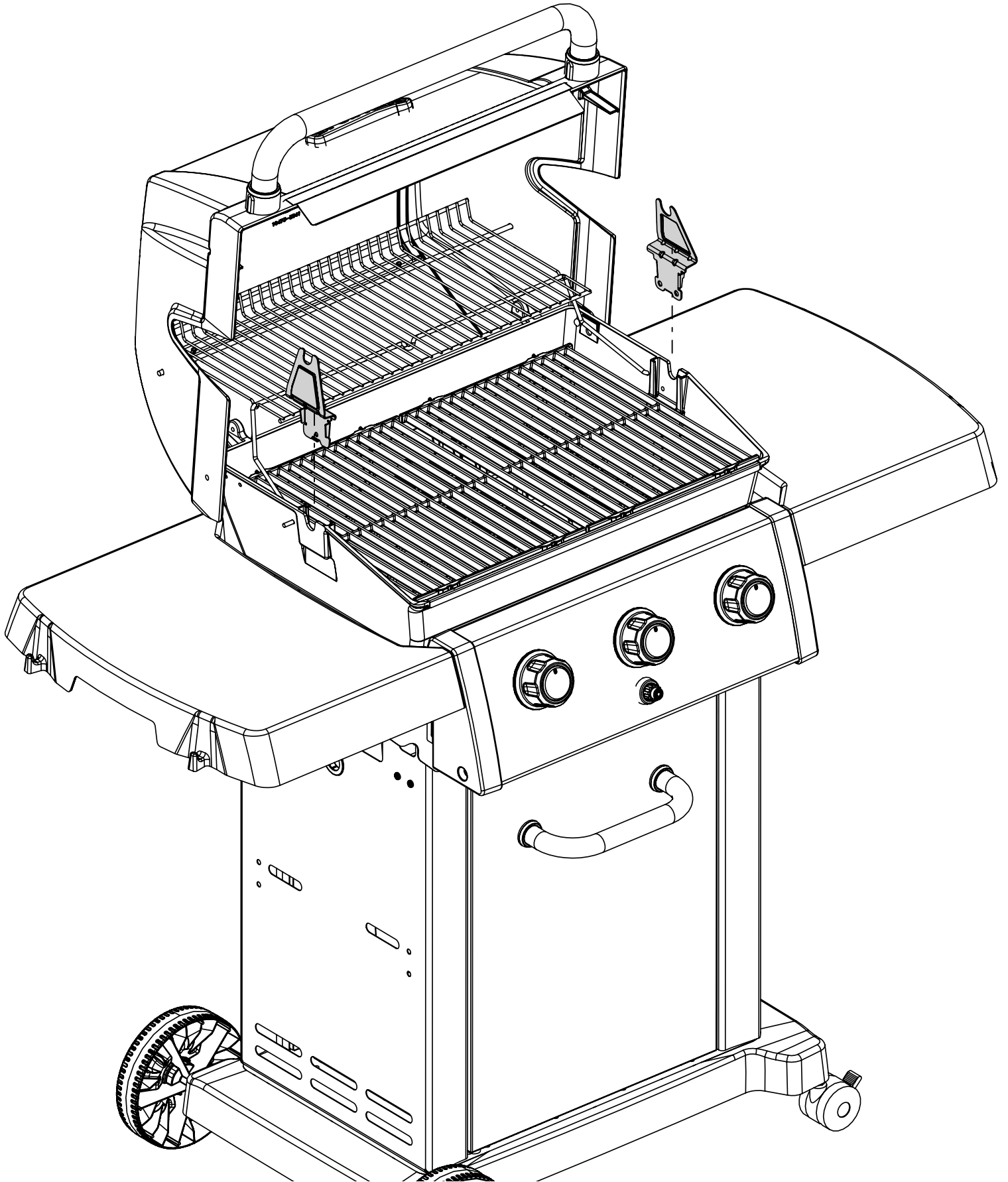
# 13

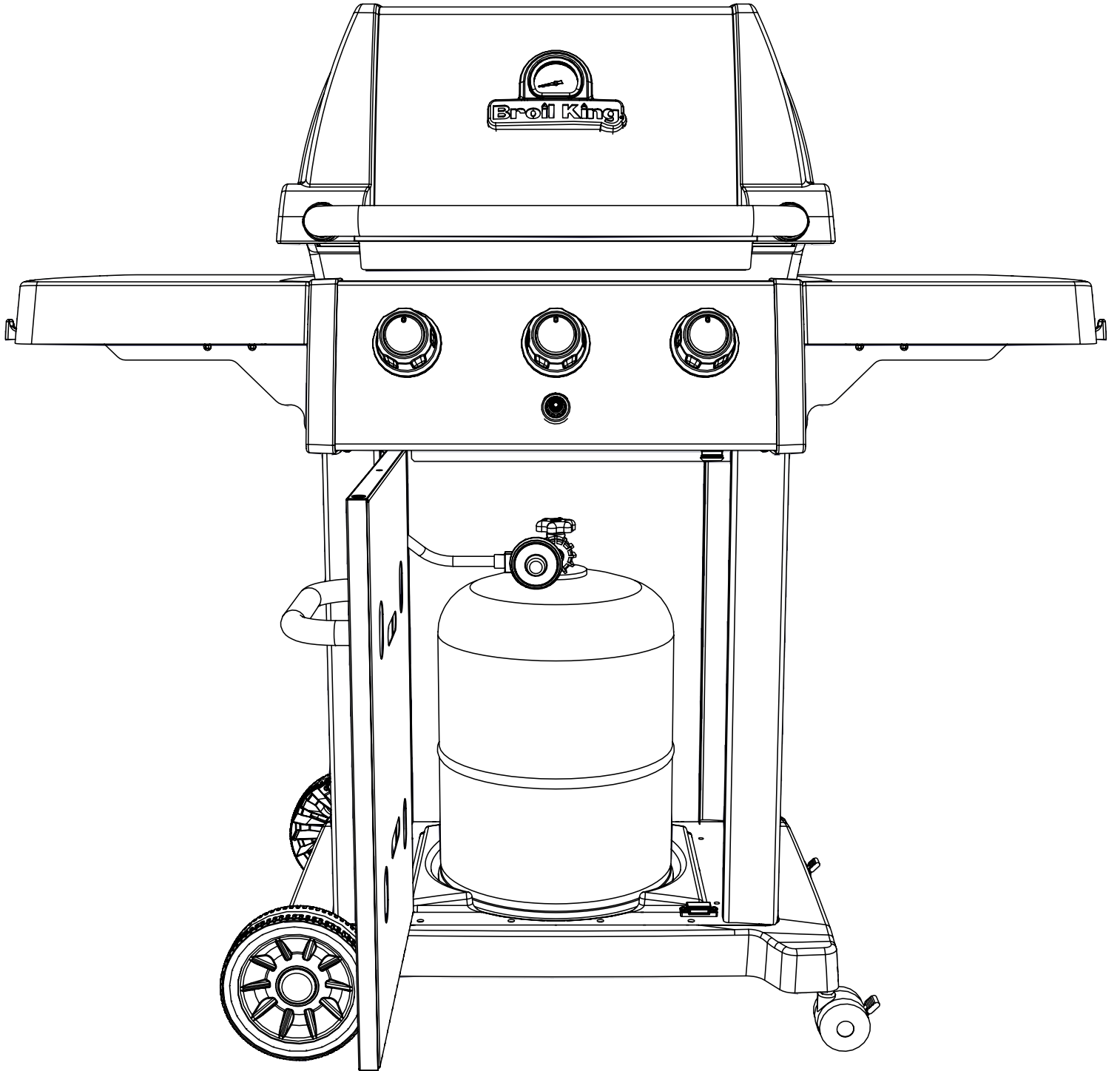
- (2) 
- (2) 











<u>KEY #</u>	<u>ITEM #</u>	<u>DESCRIPTION</u>	<u>8242-52SDW</u>	<u>8242-53SDW</u>
1	10909-E340	CASTING BOTTOM	1	1
2	10473-E341	CASTING TOP	1	1
3	10081-BK630	NAMEPLATE	1	1
4	10958-E341A	LID INSERT	1	1
5	10571-6	HEAT INDICATOR	1	1
6	10240-15	HINGE PIN	2	2
6A	S21237	HINGE SPACER	2	2
7	S21233	HITCH PIN CLIP	2	2
8	Y-11544S	BURNER SCREW	3	3
8A	S21242	BURNER CLIP	3	3
9	10225-T342	COOKING GRID	2	2
10	10222-E407	FLAV-R-WAVE™	3	3
11	10225-E346	GRID - WARMING RACK	1	1
12	10222-E301	DIVIDER	2	2
13	10184-R83	BOSS EXTENSION	1	1
15	10390-E20D	BURNER	3	•
	10390-E20E	BURNER	•	3
16	Y-12851	WASHER FOR ELECTRODE	2	2
17	10342-245	ELECTRONIC IGNITOR	1	1
18	10342-E12	ELECTRODE	2	2
19	22024-903A	COLLECTOR BOX	1	1
20	10111-16A	HOSE ASSEMBLY	1	1
21	29004-012	CONTROL ASSEMBLY	1	•
	29004-013	CONTROL ASSEMBLY	•	1
23	52002-298A	CONTROL KNOB	3	3
30	10194-F1316	CONTROL COVER	1	1
31	10711-E34	EDGE CAP - CONTROL COVER	1	1
32	10711-E33	EDGE CAP - CONTROL COVER	1	1
33	10184-E96	RADIATION SHIELD	1	1
34	10184-E97	GREASE RAIL	1	1
35	10184-E5011	SUPPORT-CASTING-LEFT	1	1
36	10184-E5111	SUPPORT-CASTING-RIGHT	1	1
37	10184-E5311	SUPPORT-SIDE SHELF-LEFT	2	2
37A	10184-E63	SUPPORT-SIDE SHELF-LEFT	2	2
38	10184-E5211	SUPPORT-SIDE SHELF-RIGHT	2	2
38A	10184-E62	SUPPORT-SIDE SHELF-RIGHT	2	2
39	10956-E4211	BRACE-REAR	1	1
40	10958-E71	BASE	1	1
41	10956-E3111	BRACE-FRONT	1	1
43	10958-E7611	SIDE PANEL	2	2
45	10184-E9811	BRACKET - DOOR CATCH	1	1
48	10184-E6911	SHELF BRACKET	2	2
50	10711-F551A	SHELF - SIDE	2	2
56	10892-931A	WHEEL	2	2
69	10958-E48AB	DOOR	1	1
70	10070-E13	HANDLE	1	1
71	21070-13	HANDLE BEZEL	2	2
72	S21420	PUSH NUT	2	2
73	Y-12857	WASHER	2	2
74	S21084	SCREW - #14 x 3/4	12	12
75	24009-12AB	HANDLE	1	1
76	10184-E09	HEAT SHEILD	1	1

<u>KEY #</u>	<u>ITEM #</u>	<u>DESCRIPTION</u>	<u>8242-52SDW</u>	<u>8242-53SDW</u>
77	32002-249	HUBCAP	4	4
78	10892-13	CASTOR	2	2
79	Y-11563	BOLT – 1/4:20 x 1 3/4	8	8
80	Y-11546	SCREW - SHOULDER	8	8
81	Y-12860	SCREW – 1/4-20 X 1 3/8	4	4
82	Y-12673	SHELF - LOCK PIN	2	2
84	S15165	AXLE	1	1
85	Y-12865	SCREW - 1/4-20 X 3/4	6	6
86	Y-11545	SCREW - 1/4-20 X 1-3/8	4	4
87	Y-11793	NUT- 1/4-20	4	4
98	S21124	SCREW – 8 X 1/2	6	6
115	Y-29304	SCREW #10-24 X 3/8	2	2
122	57154-901	GREASE TRAY	1	1
123	52009-901	GREASE PAN	1	1
135	Y-12119	BUSHING	2	2
136	11184-E341	ROTISSERIE SHIELD - RH	1	1
138	11184-E331	ROTISSERIE SHIELD - LH	1	1
140	S21125	SCREW	4	4
141	Y-12310	SCREW FOR LID HANDLE	4	4
150	10240-20	DOOR PIN	1	1
152	Y-12222	MAGNET	1	1
153	Y-12223	SNAP IN MAGNET	1	1
159	S21136	SCREW FOR VALVE / SHELF BRACKET	11	11
164	Y-12124	DOOR PIN CAP	1	1
165	Y-11551	SCREW 1/4-20 X 1	1	1

